

# Hypertherm®

## powermax1250® G3 SERIES™

### Machine torch parts

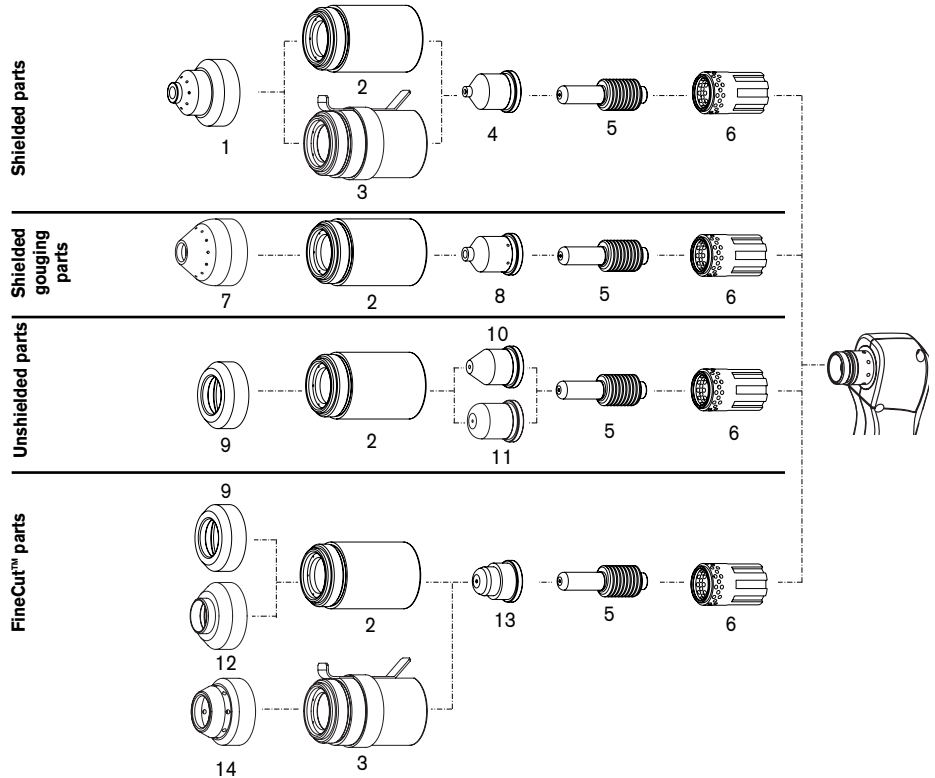
#### T80 consumables



Powermax1250

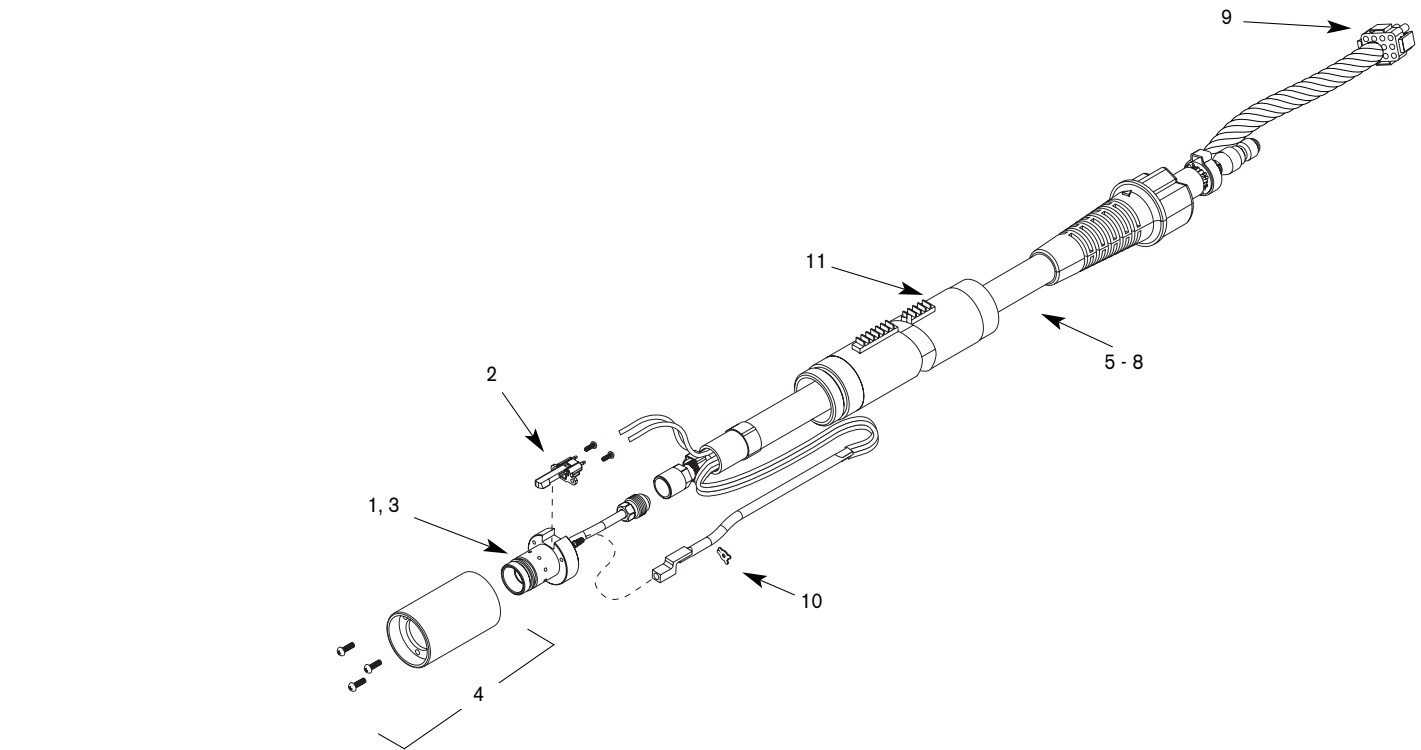


T80M torch



	ITEM NUMBER	PART NUMBER	DESCRIPTION	QUANTITY PER PACKAGE
Shielded parts	1	120930	Shield	1
	2	120928	Retaining Cap	1
	3	220061	Retaining Cap, Ohmic	1
	4	120927	Nozzle, 80 Amp	5
	4	120931	Nozzle, 60 Amp	5
	4	120932	Nozzle, 40 Amp	5
Shielded gouging parts	5	120926	Electrode	5
	6	120925	Swirl Ring	1
	7	120977	Shield, Gouging	1
	8	120978	Nozzle, Gouging	5
Unshielded parts	5	120926	Electrode	5
	6	120925	Swirl Ring	1
	9	120979	Deflector	1
	2	120928	Retaining Cap	1
	10	120980	Nozzle, Extended, 80 Amp	5
	10	220007	Nozzle, Extended, 60 Amp	5
FineCut™ parts	11	220006	Nozzle, Extended, 40 Amp	5
	5	120926	Electrode	5
	6	120925	Swirl Ring	1
	9	120979	Deflector	1
	12	220325	Deflector, CE	1
	14	220404	Shield, Ohmic	1
FineCut™ parts	2	120928	Retaining Cap	1
	3	220061	Retaining Ring, Ohmic	1
	13	220329	Nozzle	5
	5	120926	Electrode	5
	6	120925	Swirl Ring	1

# Powermax1250 T80M torch assembly



**T80M torch**

ITEM NUMBER	PART NUMBER	DESCRIPTION
	087003^	T80M Machine Torch Assembly, 15' / 4.6 m
	087004^	T80M Machine Torch Assembly, 25' / 7.6 m
	087005^	T80M Machine Torch Assembly, 35' / 10.7 m
	087006^	T80M Machine Torch Assembly, 50' / 15.2 m
	128645	Kit: Torch Mounting
1	128640	Kit: T80M Torch Main Body Replacement
2	128639	Kit: Cap Sensor Switch Replacement
3	128521	Kit: T60/T80/T60M/T80M Torch Head Repair
4	128643	Kit: T60M/T80M Mounting Sleeve Replacement
5	128634	Kit: T80M Lead Replacement, 15' / 4.6 m
6	128633	Kit: T80M Lead Replacement, 25' / 7.6 m
7	128635	Kit: T80M Lead Replacement, 35' / 10.7 m
8	128641	Kit: T80M Lead Replacement, 50' / 15.2 m
9	128638	Kit: ETR Connector Repair (Regional Repair Centers Only)
10	027889	Retaining Clip
11	128710	T60M/T80M Positioning Sleeve Replacement

**^ Assembly includes consumables**